

# INSTRUCTION MANUAL

# YW type

## ROTARY HYDRAULIC CYLINDER CLOSED CENTER



## DANGER

- This instruction manual is for production engineers and maintenance personnel in charge of operation of this product. When a beginner uses this product, receive instructions from experienced personnel, the distributor or our company.
- Before installing, operating or maintaining this equipment, carefully read this manual and the safety labels attached to the equipment. Failure to follow these instructions and safety precautions could result in serious injury, death, or property damage.
- Store this manual near equipment for future reference.
- If any questions related to safety arise about this manual, please confirm them with the distributor or our company.

**KITAGAWA IRON WORKS CO., LTD.**

77-1 Motomachi, Fuchu, Hiroshima 726-8610 Japan

TEL +81 847-40-0526

FAX +81 847-45-8911

# Preface

This manual provides detailed information about how to safely and correctly use the cylinder (YW type) for a lathe. Before starting to use this cylinder, read this manual carefully and always follow the instructions and warnings in "Important Safety Precautions" and "Precautions for Use" at beginning of the manual. Failure to follow these precautions could result in a serious accident.

## Terms and Symbols Used for Safety Messages

In this manual, precautions for handling that are considered especially important are classified and displayed as shown below depending on the damage of risk including the seriousness of the harm that could result. Please sufficiently understand the meanings of these terms and follow the instructions for safe operation.



### Safety Alert Symbol

The triangle is the safety alert symbol used to alert you to potential safety hazards that could result in injury or death.



Indicates a hazardous situation which, if you not avoided, will result in death or serious injury.



Indicates a hazardous situation which, if you not avoided, could result in death or serious injury.



Indicates a hazardous situation which, if you not avoided, could result in minor or moderate injury.



Indicates instructions which, if not avoided, could result in damage to the equipment or a shortened work life.

## Liability and How to Use this Manual

This product is a hydraulic device to control the operation of power chuck installed on the lathes or rotary tables. For any other applications, please contact us.

Our company will not assume responsibility for injury, death, damage, or loss resulting from not following the instructions in this manual.

There are countless things that cannot or should not be done, and it is impossible to cover all of them in this manual.

Therefore, do not perform any actions unless they are specifically allowed in this manual. If any questions related to safety arise about operation, control, inspection and maintenance which are not specified in this manual, please confirm them with our company or distributor before performing them.

## Guarantee and Limitation of Liability

The guarantee period of this product is 1 year after delivery.


Use the parts delivered by Kitagawa Iron Works for all the parts including consumable parts. We will not assume responsibility for injury, death, damage, or loss caused by usage of parts not manufactured by Kitagawa Iron Works. Additionally, if parts other than genuine parts manufactured by Kitagawa Iron Works are used, this guarantee will be completely invalid.

The chuck and cylinder from Kitagawa Iron Works should be used together. If you must use a part not made by Kitagawa, check with us or our distributor to be sure it is safe to do so. We will not be responsible for injury, death, damage or loss caused by use of a chuck or cylinder made by another company unless this use has been approved by Kitagawa or its distributor.

---

# Table of Contents

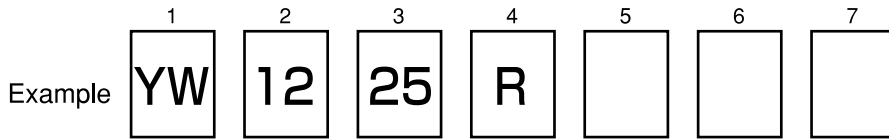
---

1. Structural Drawing and Parts List .....	3
1-1. Type display	
1-2. Structural drawing	
1-3. Scope of product	
1-4. Parts list	
2.  Important Safety Precautions .....	7
3. Specifications .....	14
3-1. Specification table	
4. Hydraulic Oil .....	15
5. Trial Operation .....	15
6. Proximity switch .....	16
6-1. Specifications	
6-2. Adjusting the position of a proximity switch	
7. Maintenance and Inspection .....	17
7-1. Maintenance and inspection of cylinder	
7-2. Maintenance and inspection of hydraulic unit	
7-3. List of seals to use	
8. Malfunction and Countermeasures .....	18
8-1. In the case of malfunction	
8-2. Where to contact in the case of malfunction	
For Machine Tool Manufacturers (Chapter 9)	
9. Attachment .....	19
9-1. Outline drawing of attachment	
9-2. Production and attachment of cylinder adapter	
9-3. Production and attachment of draw bar and draw pipe	
9-4. Attachment of cylinder	
9-5. Tightening torque of cylinder attaching bolt	
10. About Hydraulic Circuit Design .....	24
11. Other Information .....	25
11-1. About standards and orders	
11-2. Information about markings of product	
11-3. About disposal	

# 1 . Structural Drawing and Parts List

## 1-1. Type display

Type display as shown below



5th digit and after that are not displayed for the standard cylinders.

1. YW Abbreviated name of YW cylinders
2. 12 Nominal inside diameter of the cylinder
3. 25 Nominal piston stroke
4. R Cylinder with lock valve, relief valve  
RE Cylinder with lock valve, relief valve and proximity switch
- 5~7 Columns for special specification for each destination of delivery

Remarks 1) What is a “lock valve” ?

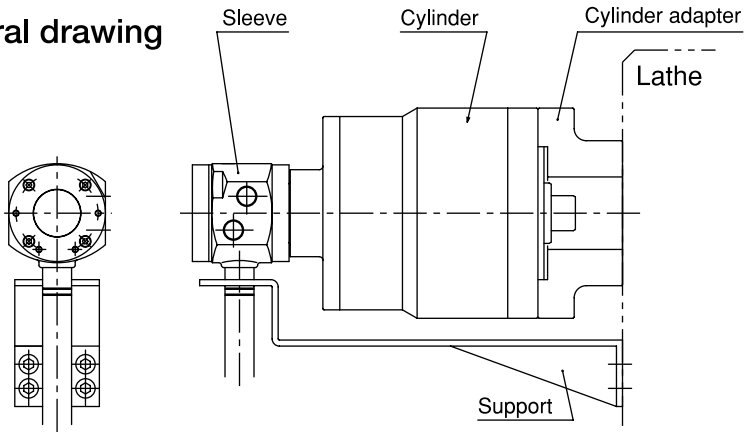
This is a valve which has a function to retain the hydraulic pressure inside a cylinder temporarily when the pump pressure suddenly lowers as a result of blackout, malfunction of the hydraulic pump, etc.

Remarks 2) What is a “relief valve” ?

This is a valve which has a function to stop damage when the hydraulic oil filled inside the cylinder has increased its pressure due to the volume change.

## 1-2. Structural drawing

YW-R type



YW-RE type

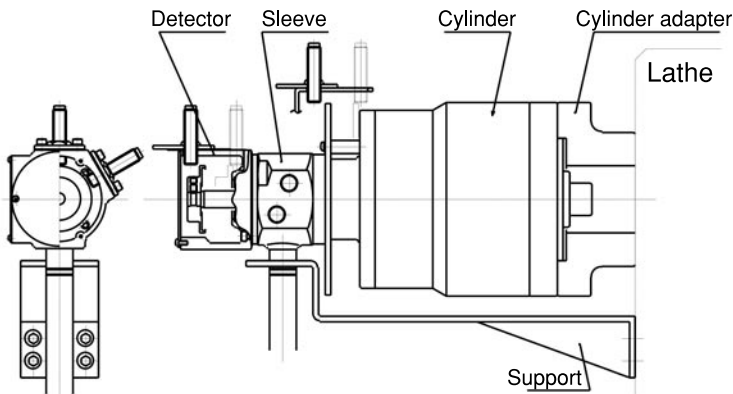


Fig.1

## 1-3. Scope of product

This instruction manual is for the cylinder part.

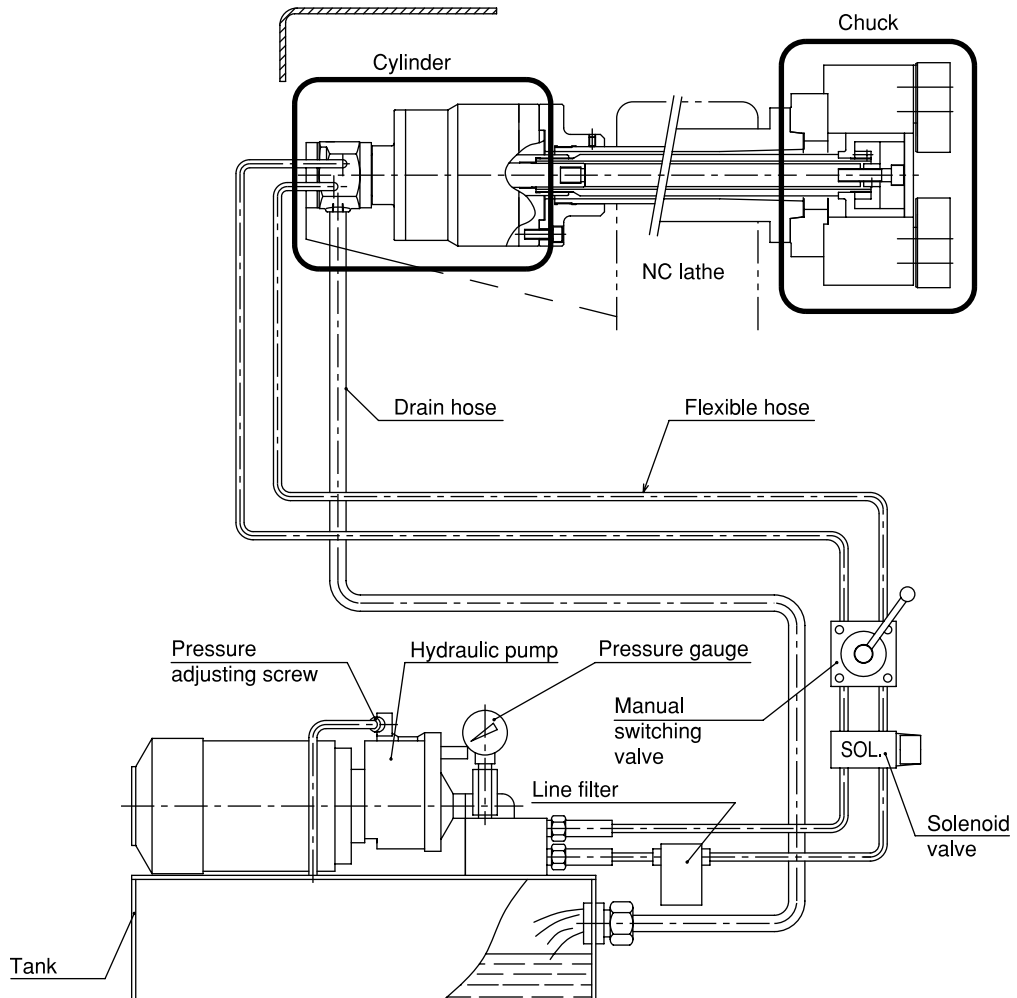


Fig.2

### WARNING

- To prevent the work from flying, safe design, maintenance and erroneous action prevention of the hydraulic system to maintain the gripping force of the chuck is extremely important. Thoroughly read the “Important Safety Precautions” on and after page 7 in this manual.
- As for the chuck, follow the instruction manual for the chuck.

# 1-4. Parts list

YW-R type

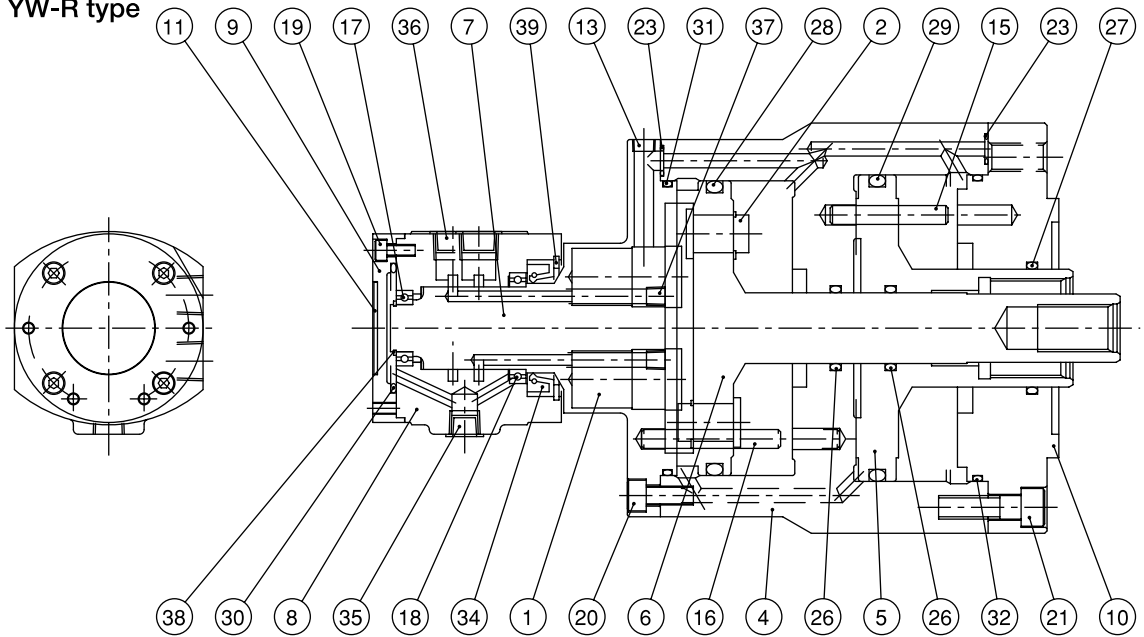


Fig.3

Table 1

No.	Part name	Quantity	No.	Part name	Quantity
1	Lock valve	2	22		
2	Relief valve	2	23	O-ring	3
3			24		
4	Cylinder	1	25		
5	Piston A	1	26	O-ring	2
6	Piston B	1	27	O-ring	1
7	Rotary valve	1	28	O-ring	1
8	Sleeve	1	29	O-ring	1
9	Sleeve cover	1	30	O-ring	1
10	Cover	1	31	O-ring	1
11	Name plate	1	32	O-ring	1
12			33		
13	Plug B	1	34	Oil seal	1
14			35	Nylon cap	1
15	Guide pin	2	36	Nylon cap	2
16	Guide pin	2	37	Plug	4
17	Bearing	1	38	Retaining ring	1
18	Bearing	1	39	Retaining ring	1
19	Socket head cap screw	4	40		
20	Socket head cap screw	12	41		
21	Socket head cap screw	12	42		

YW-RE type

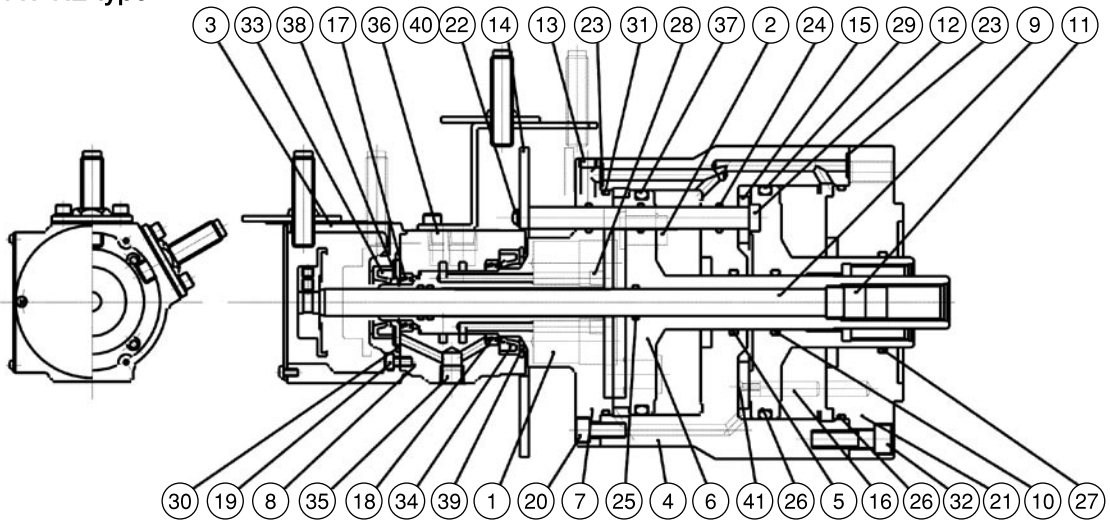


Fig.4

Table 2

No.	Part name	Quantity	No.	Part name	Quantity
1	Lock valve	2	22	Socket head button screw	2
2	Relief valve	2	23	O-ring	3
3	Detector PAD	1	24	O-ring	6
4	Cylinder	1	25	O-ring	3
5	Piston A	1	26	O-ring	2
6	Piston B	1	27	O-ring	1
7	Rotary valve	1	28	O-ring	1
8	Sleeve	1	29	O-ring	1
9	Piston bar	1	30	O-ring	1
10	Cover	1	31	O-ring	1
11	Set screw	2	32	O-ring	1
12	Slide pin	2	33	Oil seal	1
13	Plug B	1	34	Oil seal	1
14	Detectable plate	1	35	Nylon cap	1
15	Spacer	1	36	Nylon cap	2
16	Guide pin	2	37	Plug	4
17	Bearing	1	38	Retaining ring	1
18	Bearing	1	39	Retaining ring	1
19	Socket head cap screw	4	40	Spring washer	2
20	Socket head cap screw	12	41	Machine screw	4
21	Socket head cap screw	12	42		

## 2 . Important Safety Precautions

Important safety precautions are summarized below. Please read this section before first starting to use this product.



### DANGER

Failure to follow the safety precautions below will result in serious injury or death.



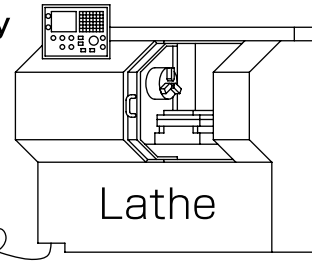
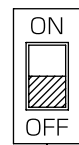
Turn off main power supply before attaching, inspecting or replacing cylinder, and before adding oil.

For All Users

- The cylinder may start rotation suddenly, and a part of the body or clothing may be caught.

Main power supply

OFF

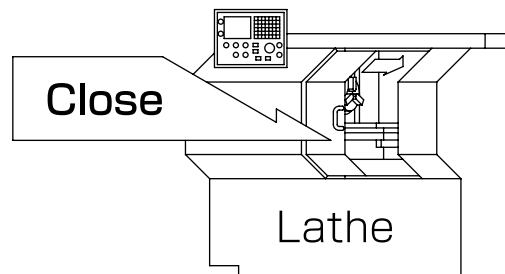


Close door before rotating spindle.

For All Users

- If the door is not closed, you may touch the rotating chuck or the work may fly out, which is very dangerous. (In general, the safety interlock function which allows rotation only when the door is the manual mode or the test mode)

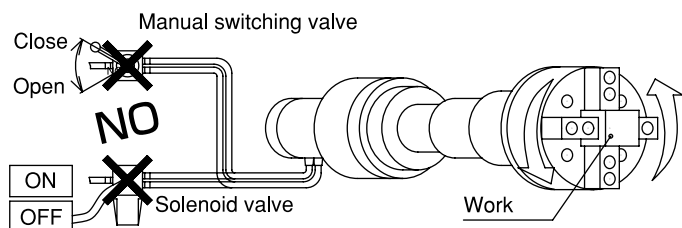
Close



During spindle rotation, do not turn off hydraulic pump power supply and do not operate switching valve.

For All Users

- Cutting off hydraulic pressure causes a drop in the gripping force which could result in the work being released and flying out.
- Operating the manual switching valve or solenoid valve will lead to a drop of hydraulic pressure.







# DANGER

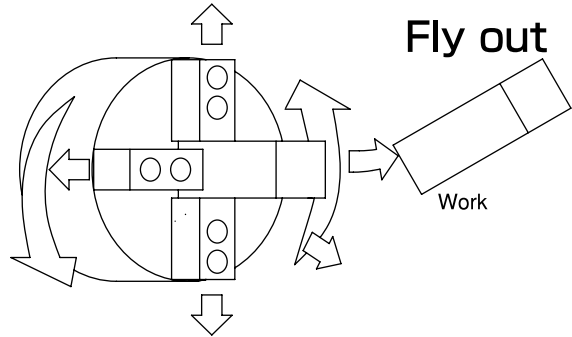
Failure to follow the safety precautions below will result in serious injury or death.



Do not allow the rotation speed of the chuck to exceed the maximum allowable speed limit.

For All Users

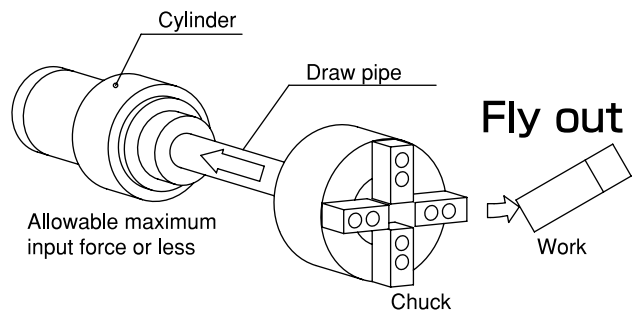
- If the rotation speed of the chuck exceeds the rotation speed limit, this is very dangerous as the chuck and work will fly out.



The input force of the chuck (piston thrust, pulling force of the draw pipe) must not exceed the allowable maximum input force.

For All Users

- Input must match the specification of the chuck.
- Adjust the hydraulic pressure to the cylinder so that the input, which determines the gripping force of the chuck, does not exceed.
- Excessive input force can lead to breakage of the chuck, which is very dangerous, as the chuck can work and fly out.



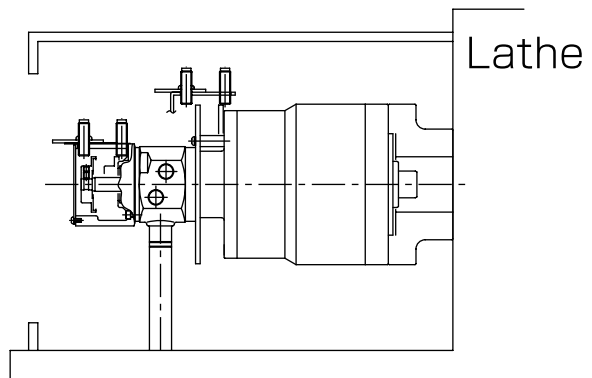
Be sure cover is attached to periphery of cylinder before operating machine. (Refer to pages 19-20)

For All Users

- This will prevent the body or clothing from being caught in the machine.

Prepare the covers that conform to the following standards.

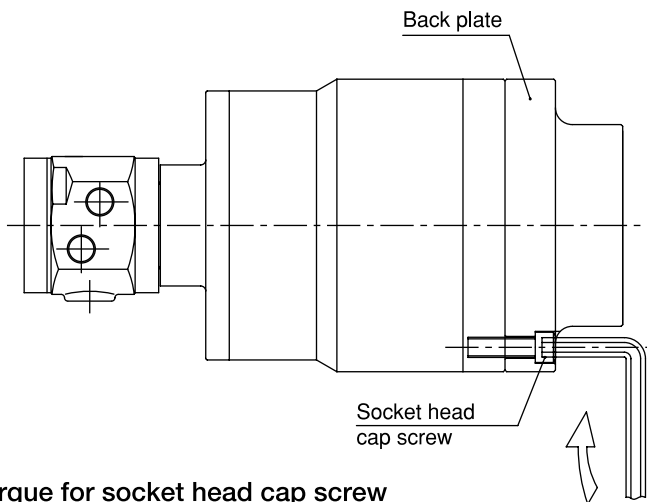
- EN953
- EN ISO13857
- EN1088





Always tighten the bolts at the specified torque. (Refer to page 23)

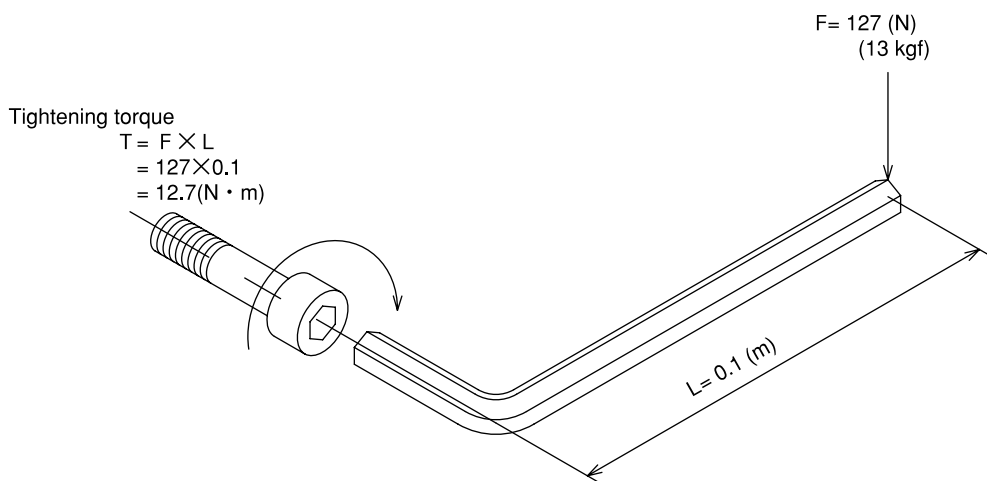
- If the torque is insufficient or excessive, the bolt will break, which is dangerous as the cylinder or work will fly out.
- Fix the lathe spindle or the cylinder when you tighten bolts. Your hand could slip and get injury when you work without fixing the spindle.
- You must use a torque wrench for torque control.



#### Specified torque for socket head cap screw

Bolt size	Tightening torque
M6	10 N·m
M10	58 N·m
M12	85 N·m
M16	200 N·m

※Since the material of the cylinder is aluminum, it is 80% of the tightening torque to the bolt size specified for the hydraulic chuck of our company.



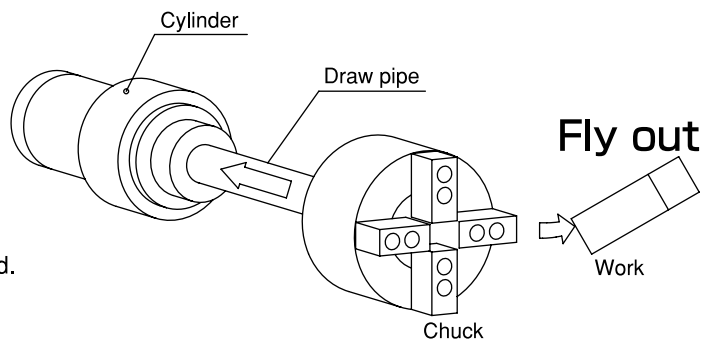
Tightening torque is moment of force when you tighten a bolt.  
Tightening torque =  $F \times L$ .



Use of a chuck and cylinder that cannot be used together safely may cause the cylinder to break at high pressure resulting in the chuck and work flying out.

- Check that the chuck and the cylinder are in the “safe combination” when using at high pressure with our company or the distributor. Especially when the cylinder of our company and a high pressure chuck of other company are combined, confirmation is necessary.
- If one of the abnormal events shown below occurs during operation, immediately stop the machine and consult with our company or the distributor.

- The work slips.
- Loss of accuracy.
- The work begins to chatter.
- The machine's vibration significantly increases.
- The gripping force does not rise even if hydraulic pressure is raised.

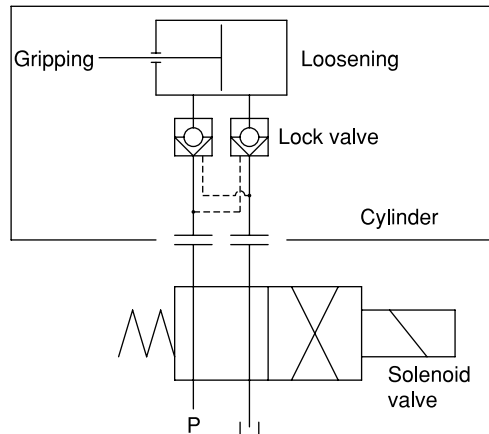
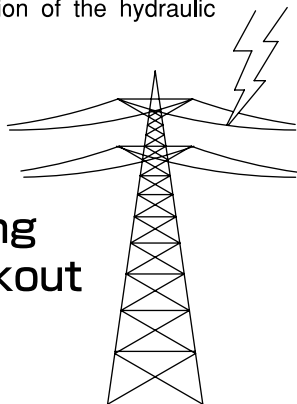


Use a cylinder with a lock valve (safety valve, check valve) incorporated in case of sudden hydraulic pressure drop due to blackout, malfunction of the hydraulic pump, etc. Further, use a solenoid valve with a circuit that retains the gripping position when no current is carried.

**For Machine Tool Manufactures**

- If the hydraulic pressure suddenly drops due to blackout or malfunction of the hydraulic pump, etc., this is dangerous as work will fly out.
- Lock valve retains the hydraulic pressure inside the cylinder temporarily, when the hydraulic pressure suddenly drops due to blackout or malfunction of the hydraulic pump, etc.

**Lightening  
= Blackout**



The gripping position must be retained.



# DANGER

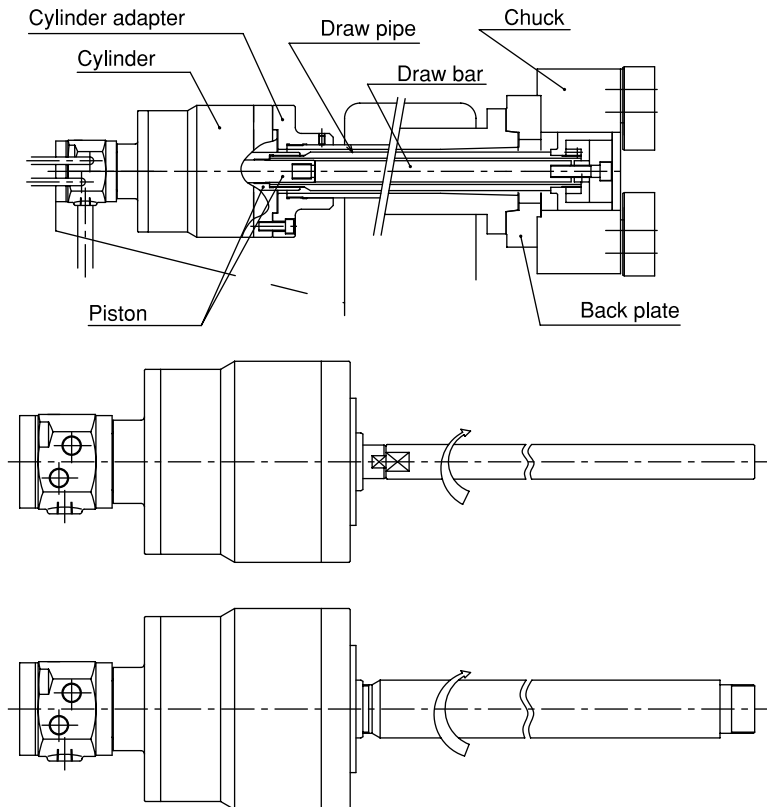
Failure to follow the safety precautions below will result in serious injury or death.



The draw-bar and draw-pipe must have enough strength. (Refer to pages 21-22)  
The draw-bar and draw-pipe must have enough screw-in depth.  
The draw-bar and draw-pipe must be tightened surely.  
Apply adhesive to the thread part of the draw bar and screw it in at the specified torque.

For Machine Tool Manufactures

- If the draw-bar or draw-pipe is broken, a gripping force is lost instantaneously, causing the workpiece to fly out.
- If the draw-bar or draw-pipe is screwed in inadequately, the screw is broken and a gripping force is lost instantaneously, causing the workpiece to fly out.
- If the draw-bar or draw-pipe is unbalanced, the vibration occurs and the screw is broken, and then a gripping force is lost instantaneously, causing the workpiece to fly out.
- When screwing the draw bar or draw pipe, piston to the end of the pull side stroke.
- If the draw-bar or draw-pipe screw is meshed loosely, the vibration occurs or the screw is broken. If the screw is broken, a gripping force is lost instantaneously, causing the workpiece to fly out.
- When the screw is loosened, the jaw stroke of the chuck becomes shorter and this is very dangerous as the work will fly out.



Thread size	Tightening torque
M20	100 N·m
M42×1.5	130 N·m



# WARNING

Failure to follow the safety precautions below could result in serious injury or death.



**Do not modify the cylinder.**

**For All Users**

- Doing so may damage the cylinder and cause oil leakage which could result in a fire. And if the hydraulic oil leaks, the gripping force of the chuck will lower and the work may fly out, which is dangerous.
- Do not attach additional machining such as screws.
- Do not detach parts of the cylinder from the cylinder.



**Do not rotate the cylinder without hydraulic pressure.**

**For All Users**

- Doing so could cause seizing inside the cylinder, leading to a drop in the gripping force of the chuck. This is dangerous as work will fly out.

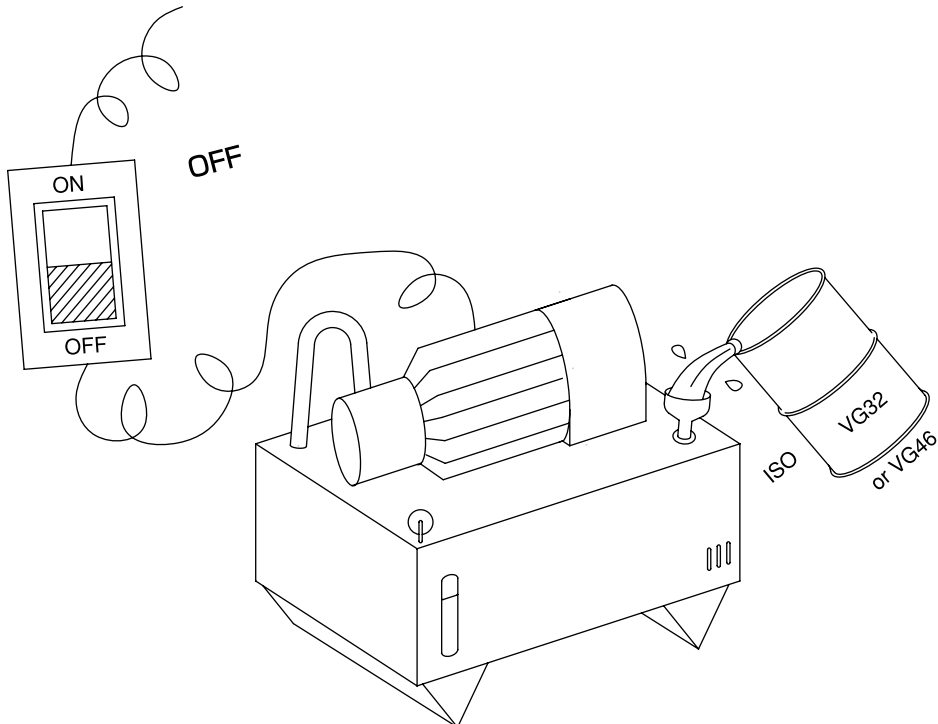


**Periodically add hydraulic oil.**

**Turn off power and use designated hydraulic oil.  
(Refer to page 15)**

**For All Users**

- If supplying of the hydraulic oil is insufficient, the operation speed may lower and the thrust force will become insufficient resulting in a drop in the gripping force of the chuck, which is dangerous as the work may fly out.
- Use abrasion resistant and deforming hydraulic oil.





# WARNING

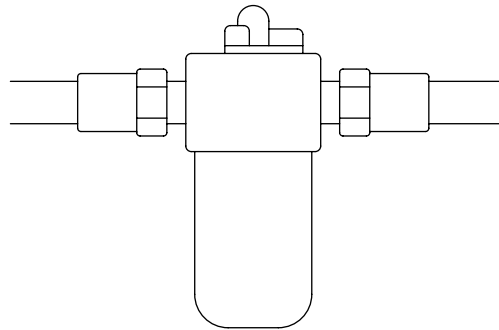
Failure to follow the safety precautions below could result in serious injury or death.



Assemble piping after completely removing the dust inside the pipe.  
Add a filter into the pressure supplying line.

**For All Users**

- Failure to do so could cause oil leakage and may result in a fire.
- Maintain the function of the incorporated lock valve and relief valve, and prevent seizing due to foreign matter.
- If the function of the lock valve lowers, this is dangerous as the work will fly out when the hydraulic pressure suddenly lowers due to blackout or malfunction of the hydraulic pump, etc.
- If the function of the relief valve lowers, the volume of the filled hydraulic oil changes causing an increase in pressure, which is dangerous resulting in malfunction.
- If seizing is caused by foreign matter, the gripping force of the chuck will lower, which is dangerous as the work will fly out.



**Filtering Precision  
20 μm or less**



Do not operate the machine after drinking alcohol or taking medication.

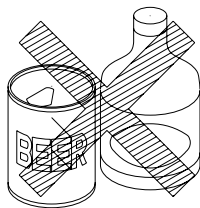
**For All Users**



Do not operate the machine wearing gloves, a necktie, and other loose clothing or jewelry.

**For All Users**

- Dangerous since these lead to operation mistakes and misjudgment.



Alcohol

Medication

- Dangerous since it will be caught.



Do not attach the other than parts manufactured by Kitagawa Iron Works to the cylinder. (Refer to pages 5-6, Fig.3-4)

**For Machine Tool Manufactures**

- Doing so may damage the cylinder and cause oil leakage which could result in a fire. And if the hydraulic oil leaks, the gripping force of the chuck will lower and the work may fly out, which is dangerous.

# 3 . Specifications

## 3-1. Specifications table

Table 3 YW-R type (Cylinder with lock valve, relief valve)

Type			YW1220R	YW1225R
Piston stroke	mm		20	25
Piston surface area	Push	Outer piston rod	125	125
		Inner piston rod	122	122
	Pull	Outer piston rod	113	113
		Inner piston rod	115	115
Piston maximum thrust force	Push	Outer piston rod	34	34
		Inner piston rod	33	33
	Pull	Outer piston rod	31	31
		Inner piston rod	31	31
Maximum operating hydraulic pressure	MPa		3.0	3.0
Drain amount	l/min.		0.7	0.7
Maximum rotation speed	min <sup>-1</sup>		5000	5000
Mass	kg		15.3	15.5
Moment of inertia	kg · m <sup>2</sup>		0.043	0.044
Balance quality			G6.3	
Storing temperature /Operating temperature			-20~+50°C / -10~+40°C	

Table 4 YW-RE type (Cylinder with lock valve, relief valve, proximity switch)

Type			YW1220RE	YW1225RE
Piston stroke	mm		20	25
Piston surface area	Push	Outer piston rod	123	123
		Inner piston rod	118	118
	Pull	Outer piston rod	113	113
		Inner piston rod	113	113
Piston maximum thrust force	Push	Outer piston rod	34	34
		Inner piston rod	32	32
	Pull	Outer piston rod	31	31
		Inner piston rod	31	31
Maximum operating hydraulic pressure	MPa		3.0	3.0
Drain amount	l/min.		0.7	0.7
Maximum rotation speed	min <sup>-1</sup>		5000	5000
Mass	kg		16.3	16.5
Moment of inertia	kg · m <sup>2</sup>		0.044	0.045
Balance quality			G6.3	
Storing temperature /Operating temperature			-20~+50°C / -10~+40°C	

Note 1) The drain amount is a value when the hydraulic pressure is 3.0 MPa, and the oil temperature is 50°C.

Note 2) How to obtain the piston thrust force

$$\text{Operating Piston thrust force (kN)} = \text{Piston Maximum Thrust force (kN)} \times \frac{\text{Operating hydraulic pressure(MPa)} - 0.25}{\text{Maximum operating hydraulic pressure(MPa)} - 0.25}$$

Note 3) When storing this product, the product should be subjected to the antirust treatment and stored in a place free from wetting, condensation, or freeze.

## 4 . Hydraulic Oil

- To keep good operation of the cylinder, it is recommended to use hydraulic oil with a viscosity of 30-50cSt at 40°C. (ISO VG32 VG46 equivalent product)
- Replace the hydraulic oil about once every six months.
- The characteristics of hydraulic oil influences the heating, drain amount and acting speed of the cylinder, therefore, control it according to the instruction manual for the hydraulic unit.



### WARNING

- Turn off the power source and supply designated hydraulic oil. Insufficient oil supply decreases the acting speed, causes thrust force insufficiency resulting in a drop in the chuck gripping force, which could allow the work to fly out. Use abrasion resistant and deforming hydraulic oil. Add a filter of 20 μm or less in the pressure supply line to maintain the function of the cylinder and to prevent seizing caused by foreign matter.

### Safety information about hydraulic fluid and anti-rust oil

#### Applicable range

- Hydraulic fluid sealed in the product at the delivery.
- Antirust agent applied to the product at the delivery.

#### First aid measures

After inhalation: Remove victim to fresh air. If symptoms persist, call a physician.

After contact with skin: Wash off with mild cleaners and plenty of water. If symptoms persist, call a physician.

After contact with eyes: Rinse with plenty of water. If symptoms persist, call a physician.

After ingestion: If large amounts are swallowed, do not induce vomiting. Obtain medical attention.

- Please refer to each MSDS about the hydraulic fluid and the anti-rust oil which you prepared.

## 5 . Trial Operation

Read safety precautions starting on page 7 before performing trial operation.

1. Check that the power voltage is at the specified voltage.
2. Set the pressure adjusting handle to the lowest state during trial operation, and check the turning direction of the pump in inching (shortly turn on and off the switch). When it is rotating in the reversed direction, change the connection of 2 cables out of the 3 cables.
3. As for the operating pressure for chucking, first lower to the lowest pressure, and then set to low pressure at which the chucking action is possible (0.35-0.5MPa) to check the following.
  - Is it operating smoothly?
  - Is the operating direction correct? (Opening and closing direction of the chuck)
  - Is the operating stroke appropriate? (Jaw stroke of the chuck)
  - Is there any oil leakage with each piping?If they are normal, gradually raise the operating pressure up to the rated pressure while checking the items specified above.

At this point, check that the drainage is flowing smoothly.
4. Rotate the lathe spindle by setting the rotation speed to the minimum. If there is no run-out of the cylinder or no abnormalities in the support and piping, gradually raise the rotation speed.

If the rotation vibration is too excessive, run-out of the adapter must be inspected again.
5. If the oil temperature is low (20-30°C) or less, run it in at about 1/3 of the maximum rotation speed.

### NOTICE

- When the ambient temperature of the cylinder suddenly rises, for example, thermal effect is received from heating of the pulley, etc., or when there is a special heat generation source around the cylinder, the cylinder charged pressure rises and then the cylinder may stop operation, if it is continuously operated for a long period of time without switching operation, since a lock mechanism is built in such a phenomenon occurs more frequently especially at the time of running in, therefore, frequently reciprocate the piston.



### < Treatment when the cylinder cannot be operated >

○Regardless of trial operation or normal operation, when the cylinder cannot be operated, try the operations specified below.

1. When the lathe spindle is rotating, stop rotation.
2. Turn the pressure adjusting handle of the pressure regulation valve for the chuck setting pressure (cylinder setting hydraulic pressure) at the hydraulic unit part, and raise the chuck setting pressure for about 0.5 MPa and repeat switching over the operation selecting switch of the cylinder to check the operation of the cylinder.
3. If the operation inability still continues, raise the chuck setting pressure additionally (about 0.5 MPa at a time), and repeat the operation in the same manner as item (2), to check the action of the cylinder. In this case, the limit of the pressure raising is up to 30% increase of the maximum operating hydraulic pressure.

When the cylinder operation is recovered, bring back the preset chuck pressure to the normal level.

4. If the cylinder cannot be operated even after the chuck setting pressure is raised to the maximum and the operation specified in the above item (3) is repeated several times, return to the chuck setting pressure, turn off the power supply, cool down the temperature of the cylinder surface to be almost the same as the room temperature, and then repeat the operations specified in the above items (2) and (3) to check the operation of the cylinder.

The cylinder can be cooled down more quickly by forcibly blowing air to the cylinder using an air gun, etc.

5. If the cylinder cannot be operated even after cooling down, loosen the draw screw on the chuck side and remove the connection, and then check the operation of the cylinder.

### < Usage >

This product is a hydraulic device to control the operation of power chuck installed on the lathes or rotary tables.

The piston moves forward and backward by supplying hydraulic pressure to the cylinder. By this, the linked jaws of the power chuck move toward the closing side to grip the workpiece, so that the workpiece is clamped during the machining. After the machining, the jaws move toward the open side to allow the workpiece to be removed.

## 6 . Proximity switch

### 6-1. Specification

○The standard specification of the proximity switch is BES M12MI-NSC20B-BV02 (BALLUFF). Contact us if a specification other than the standard one is necessary.

Table 5

Type	BES M12MI-NSC20B-BV02 (BALLUFF)
Voltage	DC24V
Leakage current	200mA or less
Operation style	NPN

Table 6

Type	BES M12MI-NSC20B-BV02 (BALLUFF)
OP2	BLACK
+V	BROWN
0V	BLUE
OP1	BLACK

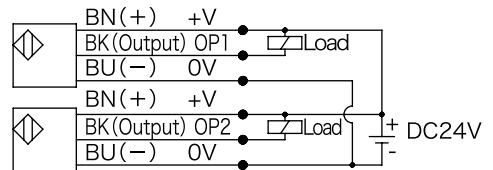


Fig. 5

### 6-2. Adjusting the position of a proximity switch

Read following instruction when you adjust the proximity switch. (Fig.6)

1. Loosen the machine screw [1], then remove the cover [2].
2. Loosen the socket head cap screw [4] that fix the adjusting plate [3].
3. Unclamp the chuck.
4. Install one proximity switch [5] on the outer surface of the casing [6], passing through the adjusting plate [3], and make it approach to the detectable plate [7] until the LED of proximity switch lights up. At this time, adjust the screw of proximity switch [5] so that the distance between proximity switch [5] and outside diameter end of detectable plate [7] is about 1 mm, and slide to adjust the adjusting plate [3] in the axial direction.
5. Tighten the socket head cap screw [4] to fix the adjusting plate [3].
6. Grip the workpiece.
7. For another proximity switch proceeds in the same way as it is described from point 4 and 5.
8. Confirm whether LED lights up by opening and closing the chuck several times.
9. Tighten the machine screw [1] to fix the cover [2].

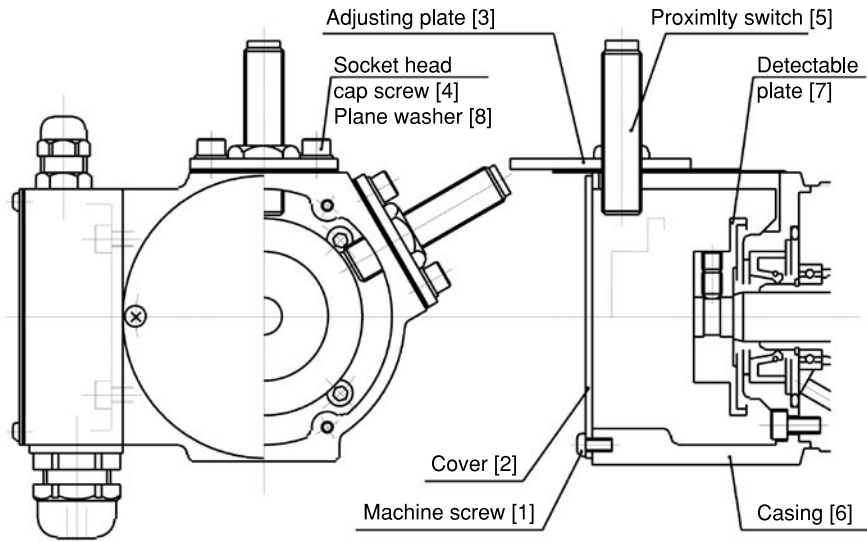


Fig.6

## 7 . Maintenance and Inspection

### 7-1. Maintenance and inspection of the cylinder

If any malfunction occurs, return cylinder to our company for repair. If it is disassembled and reassembled at a place other than our company, it may not function correctly as well as cause precision failure.

### 7-2. Maintenance and inspection of hydraulic unit

- Clean the suction strainer every 2 to 3 months.
- Replace the hydraulic oil about once every six months.

### 7-3. List of seals to use (Refer to Fig.3-4)

Table 7

No.	Part name	YW1220R YW1225R	YW1220RE YW1225RE	Quantity
23	O-ring	JIS B 2401 P10	JIS B 2401 P10	3
24	O-ring	-	JIS B 2401 P12	6
25	O-ring	-	JIS B 2401 P15	3
26	O-ring	JIS B 2401 P30	JIS B 2401 P30	2
27	O-ring	JIS B 2401 P50	JIS B 2401 P50	1
28	O-ring	JIS B 2401 P115	JIS B 2401 P115	1
29	O-ring	JIS B 2401 P120	JIS B 2401 P120	1
30	O-ring	JIS B 2401 G50	JIS B 2401 G50	1
31	O-ring	JIS B 2401 G120	JIS B 2401 G120	1
32	O-ring	JIS B 2401 G125	JIS B 2401 G125	1

# 8 . Malfunction and Countermeasures

## 8-1. In the case of malfunction

Check the points specified below again and take measures.

Table 8

Defective	Measures
Piston Operation Inability	Check that the hydraulic pressure is operating by the motion of the flexible hose, etc.
	Check that there are no mistakes in piping.
	Try operations when operation inability specified in the items of the trial operation.
Cylinder Thrust Force Insufficiency	Check that the pressure is as specified at the cylinder pipe inlet by attaching a pressure gauge near the inlet of the cylinder.
	Wearing of the O-ring inside is possible when the flow rate of the returning side pipe or the drain is more than usual.
Temperature Rise	Check that the viscosity of the hydraulic oil is as designated.
	Replenish the hydraulic oil inside the tank if it is low.
	When the room temperature is high and the radiation effect of the tank is bad, control the oil temperature using a cooler or a fan, etc.
Pump noise	Do not suck air.
	Replenish the hydraulic oil inside the tank if it is low.
	If a large amount of dirt is deposited inside the tank, or when the hydraulic oil is deteriorated, the pump may be worn out abnormally, and it will be necessary to repair the pump.
Oil leakage from oil seal	Provide a stream slope, without air pockets, and no back pressure must be applied.
	Return the drainage onto the surface of the oil of the hydraulic unit .
	Check that the air breather of the hydraulic unit is not clogged.

 **WARNING**

- If the chuck failed due to a seizure or breakage, remove the chuck from the machine, following the disassembly steps in the chuck instruction manual, and then remove the cylinder by the reverse steps of "9. Attachment" after page 19. When the jaws and covers cannot be removed due to a blockage of workpiece, do not disassemble forcibly but please contact us or our agent.
- If these countermeasures do not correct the problem or improve the situation, immediately stop using the machine. Continuous use of a broken product or a defective product may cause a serious accident by the cylinder or the work flying out.
- Only experienced and trained personnel should do repairs and fix malfunctions. Repair of a malfunction by a person who has never received instruction from an experienced person, the distributor or our company may cause a serious accident.

## 8-2. Where to contact in the case of malfunction

In the case of malfunction, contact the distributor where you purchased the product or our branch office listed on the back cover.

# For Machine Tool Manufacturers

Following pages are described for machine tool manufacturers (personnel who attach a cylinder to a machine). Please read following instruction carefully when you attach or detach a cylinder to machine, and please sufficiently understand and follow the instructions for safe operation.

## 9 . Attachment

### 9-1. Outline drawing of attachment

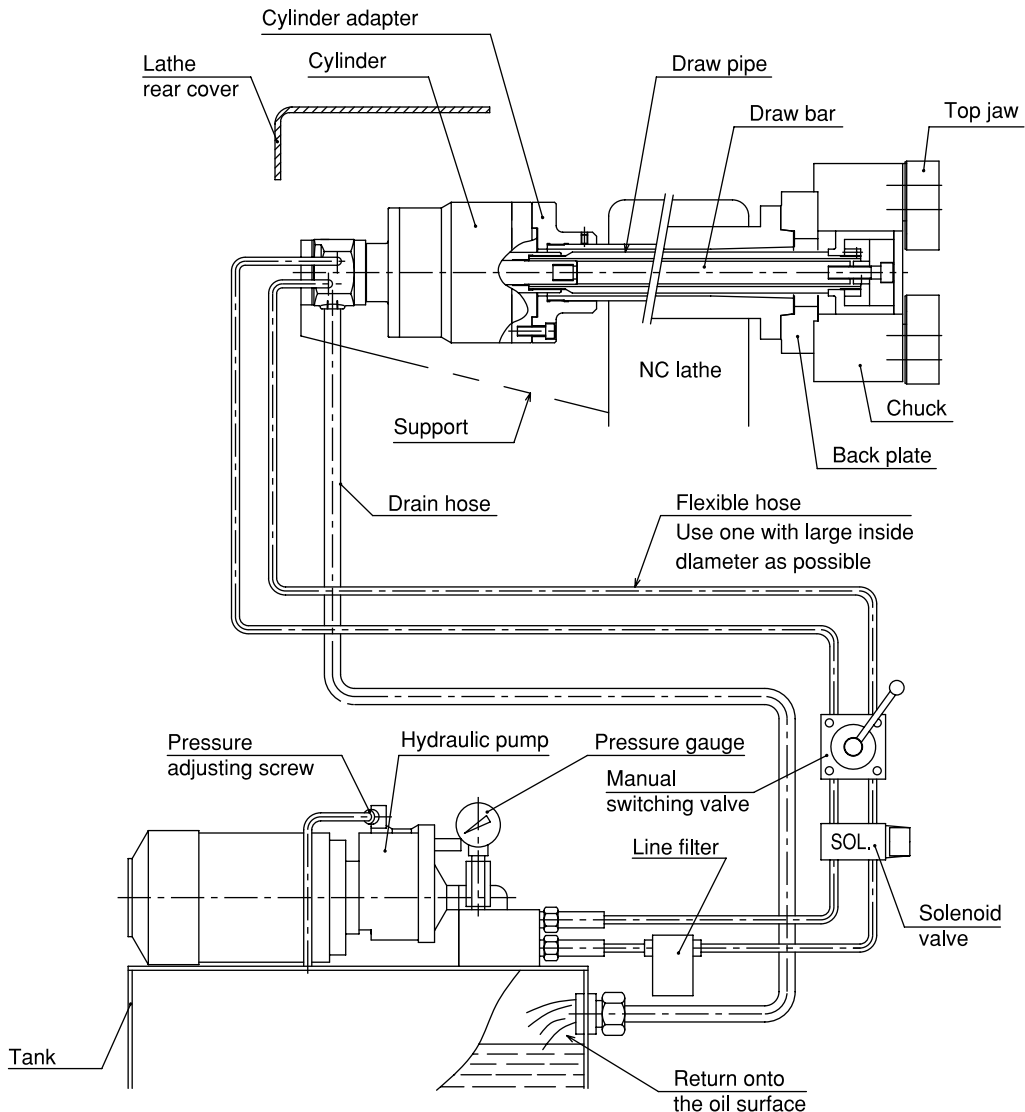


Fig.7

- Attach the manual switching valve at a position where it is easy to operate for the attaching equipment.
- Install the hydraulic unit at a position where the drain hose is not kinked and the needle of the pressure gauge is easily read.
- Use a pipe inside diameter as large as possible.

**DANGER**

- When other actuators are operated by the same hydraulic pressure source as the cylinder for chuck, be sure that a pressure drop of the cylinder does not occur during use. A hydraulic pressure drop leads to a drop in the gripping force which could allow the work to fly out.
- The drain hose will ensure no back pressure.
- The end of the hose is physically above the oil level. (Refer to Fig.7)
- If the hydraulic oil stagnates inside the cylinder, oil leakage occurs, which may cause a fire.

**WARNING**

- Install after removing the dust inside the pipe completely.
- Add a filter to the pressure supply line. If foreign matters gets inside the cylinder, this is dangerous since the rotation valve of the cylinder will seize, the hose will tear off, and the cylinder will rotate. This is also dangerous as the work will fly out.
- Always use a flexible hose for the hydraulic piping to the cylinder, and the bending force or tensile force of the pipe must not be applied to the cylinder. Use a pipe inside diameter as large as possible and keep the piping length as short as possible.

**NOTICE**

- Provide an air passage behind the cylinder or a window about the size of the sleeve on the lathe rear cover for the hot air generated from the cylinder to escape to the outside.

## 9-2. Production and attachment of cylinder adapter

**NOTICE**

- Attach with the surface run-out of the cylinder adapter and the run-out of the spigot joint at 0.005 mm or less. (Fig. 9) Large run-out causes vibration and shortens the life of the cylinder significantly.

- Bring the cylinder as close to the lathe spindle support as possible. The attaching method of the cylinder adapter and the measuring method of run-out are illustrated in the drawings below. (Fig. 8, Table 9)
- Never fail to provide a setscrew to prevent loosening of the cylinder adapter. (Fig. 9)

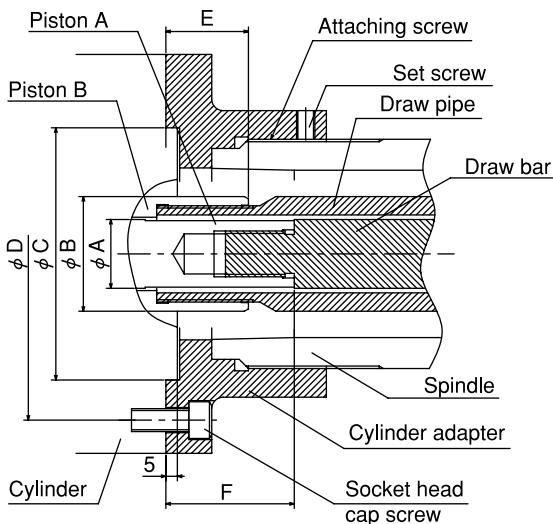


Fig.8 Cylinder adapter attaching part

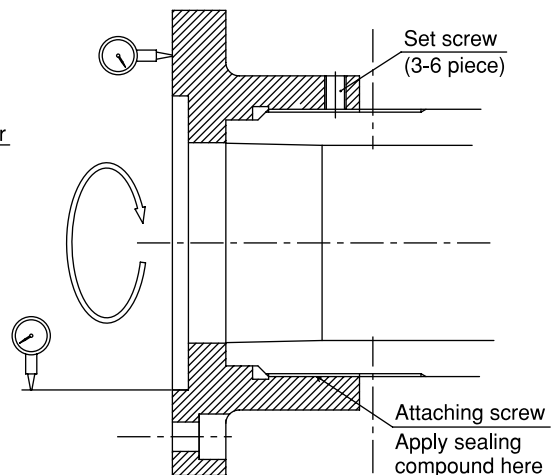


Fig.9 Run-out measurement of the cylinder adapter

**Table 9**

(Unit: mm)

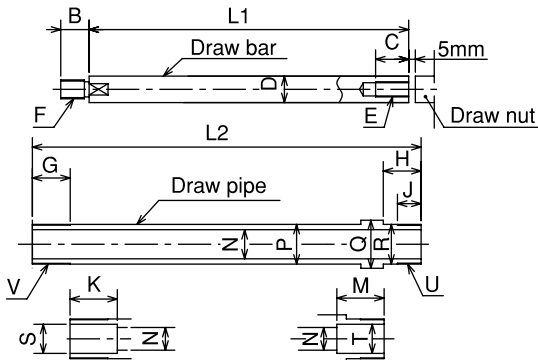
Type	$\phi$ A	$\phi$ B	$\phi$ C (h7)	D (MAX)	E (MAX)	F (MAX)	Socket head cap screw
YW1220R	29	50	110	145	36	61	6-M12
YW1225R	29	50	110	145	36	56	6-M12
YW1220RE	29	50	110	145	36	61	6-M12
YW1225RE	29	50	110	145	36	56	6-M12

### 9-3. Production and attachment of draw bar and draw pipe

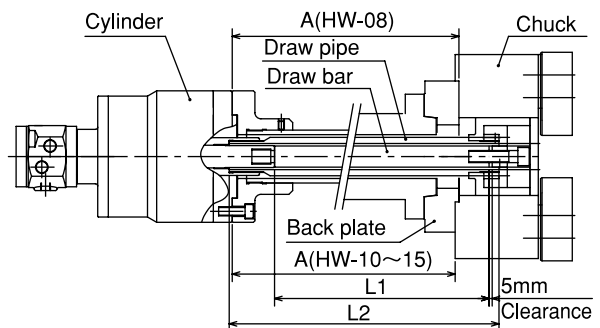
- Determine the length of the draw bar and draw pipe as shown below.
- When screwing the draw bar and draw pipe into the piston, screw in a state that the piston comes inside.

**⚠ DANGER**

- Sufficiently degrease and apply adhesive on the thread part of the piston and the thread part of the draw bar and draw pipe, and then screw in and tighten.
- If the screw is loose, the jaw stroke of chuck will shorten, which could allow the work to fly out.



**Fig.10**



**Fig.11**

**Table 10**

(Unit: mm)

Item	Type	YW1225R		
	YW1220R	HW-10	HW-12	HW-15
Chuck	HW-08			
B			30	
C			35	
D	$\phi$ 25		$\phi$ 30	
E	M14		M16	M20
F			M20×2.5	
G			45	
H	34.5		40	42.5
J	22		25	29
K	87		-	
M				39
N	$\phi$ 27		$\phi$ 32	
P min.			$\phi$ 42	
Q max.	-		$\phi$ 52	$\phi$ 65
R	$\phi$ 34		$\phi$ 42	$\phi$ 55
S	$\phi$ 32		-	
T				$\phi$ 42
U	M34×1.5		M42×1.5	M55×2
V			M42×1.5	
L1	A - 27		A - 12	A - 1.5
L2	A + 49		A + 62	A + 72.5

The dimension L1 and L2 in Fig.10 are determined from the distance A between the cylinder adapter and the back plate.

(Example) In the combination of HW-12, YW1225R, and when  $A=800\text{mm}$ , the draw bar length L1 is to be  $L1 = A-12 = 800-12 = 788\text{mm}$ , the draw pipe length L2 is to be  $L2 = A+62 = 800+62 = 862\text{mm}$ .

At the time of the screw process of the dimension F and V, the precision is to be JIS 6H and 6h, 6g matching the screw of the piston of the cylinder. Pay attention so that the thread parts on both ends and the inner periphery do not swing or become unbalanced.

### **⚠ DANGER**

- The draw-bar and draw-pipe must have enough strength. If the draw-bar or draw-pipe is broken due to low strength, a gripping force is lost instantaneously, causing the workpiece to fly out.
- The material used for draw-bar and draw-pipe must have tensile strength above 380MPa (38kgf/mm<sup>2</sup>).
- Whether the draw-bar and draw-pipe have enough strength for operating conditions must be judged by the engineer who designed the draw-bar and draw-pipe.
- The dimensions and materials mentioned in this document do not guarantee that the draw-bar and draw-pipe are not broken under any operating conditions.
- If the draw-bar or draw-pipe is screwed in inadequately, the screw is broken and a gripping force is lost instantaneously, causing the workpiece to fly out.
- If the draw-bar or draw-pipe screw is meshed loosely, the vibration occurs or the screw is broken. If the screw is broken, a gripping force is lost instantaneously, causing the workpiece to fly out.
- If the draw-bar or draw-pipe is unbalanced, the vibration occurs and the screw is broken, and then a gripping force is lost instantaneously, causing the workpiece to fly out.

## 9-4. Attachment of cylinder

- When removing/installing the cylinder, use a lifting belt and perform as follows. (Fig.12)
1. To lift up the cylinder, engage a lifting belt with the draw pipe and lift up the cylinder while supporting it.
  2. Insert the draw pipe into the spindle.
  3. When a lifting belt comes close to the spindle, shift the lifting belt toward the cylinder.
  4. When the draw pipe has entered the spindle sufficiently, re-engage a lifting belt with the cylinder body and fit the cylinder closely to the spindle and then install the cylinder with the cylinder mounting bolts.

Detach in the reverse procedures of attachment.

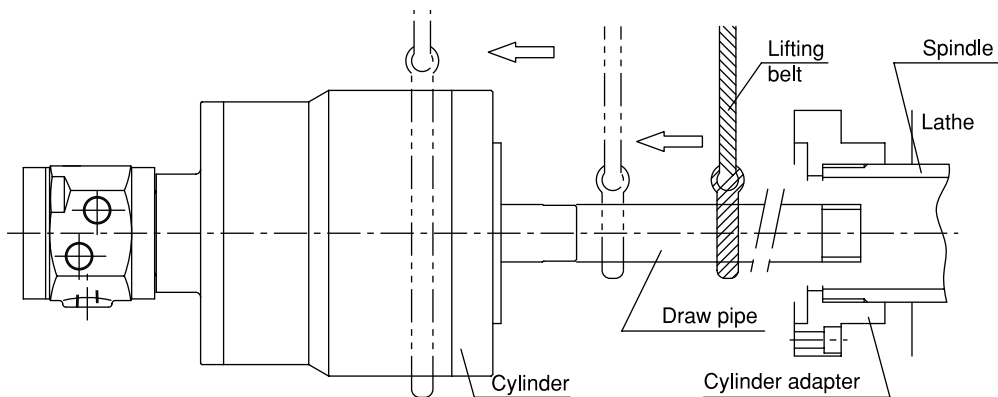


Fig.12

### **⚠ CAUTION**

- Use a lifting belt when attaching and detaching the cylinder to and from the machine, as there is a danger of injury or damage if the cylinder drops.
- Use the belt in the center of gravity not to lose the balance, and lift the draw pipe slowly. If balance is bad, the belt slips, and the cylinder drops, and there is the injury danger such as blows.

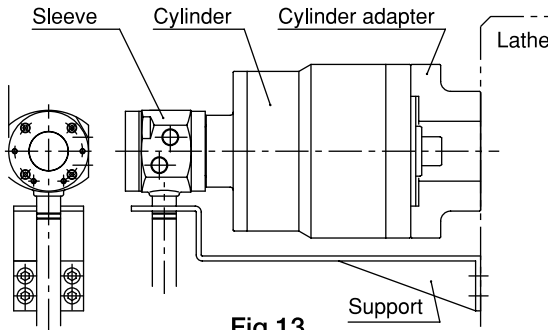
## NOTICE

- To prevent the sleeve of the cylinder from rotating, provide a support by utilizing the screw of the sleeve.

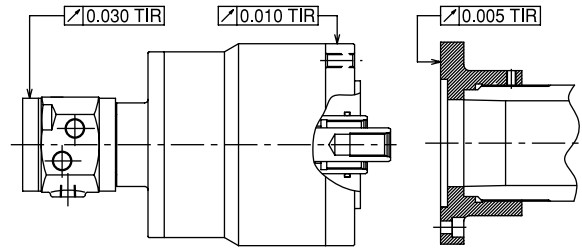
○After attaching the support to the lathe, provide clearance between the protrusion and the support so that force is not applied to the sleeve.

○Arrange the drain hose to come back to the above of oil tank surface of the hydraulic unit. (Fig.7) If the drain hose is connected to T-port such as valve block, etc., the oil seal of cylinder will damage because backpressure is applied to the hose.

○As for the run-out when attaching the cylinder, attach the cylinder while keeping the vertical run-out of the sleeve rear end and the cylinder periphery at the standard value specified in the Fig.14 or lower when rotation stop of the sleeve is applied and the spindle is rotated.



**Fig.13**

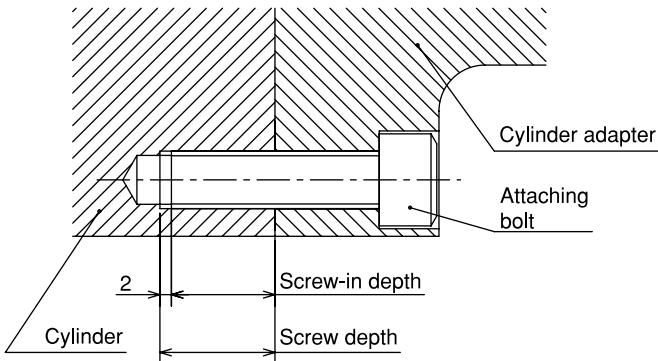


**Fig.14**

To obtain the above specified value of run-out, make the surface run-out of the cylinder adapter as small as possible. (0.005 mm TIR or less)

### 9-5. Tightening torque of the cylinder attaching bolt

Follow the figure below for the screw-in depth of the attaching bolt.



**Fig.15**

**Table 11**

Type	YW1220R YW1220RE	YW1225R YW1225RE
Bolt size	M12	M12
Screw depth	25	25

※Keep the screw-in depth of the bolt to (screw depth -2) mm.

## ⚠ DANGER

- Always tighten the bolts at the specified torque. If the torque is insufficient or excessive, the bolt will break, which is dangerous as the cylinder or work will fly out.
- Use bolts that have at least a strength classification of 12.9 (10.9 for M22 or more) and be sure they are long enough.

**Table 12**

Bolt size	Tightening torque
M6	10 N·m
M10	58 N·m
M12	85 N·m
M16	200 N·m

※Since the material of the cylinder is aluminum, it is 80% of the tightening torque to the bolt size specified for the hydraulic chuck of our company.



# 10 . About Hydraulic Circuit Design

- Consider the hydraulic circuit design so that the operation is easy and no mistakes in operation occur. Attempt failsafe for the circuit so as not to cause any accidents even in the case of blackout. (Fig. 16)
- It is incorporated with a lock mechanism to maintain the specified gripping force even if the supplied pressure abnormally drops due to blackout or malfunction of the pressure resource while processing a work, however, it does not function unless the following warnings are observed.

**⚠ DANGER**

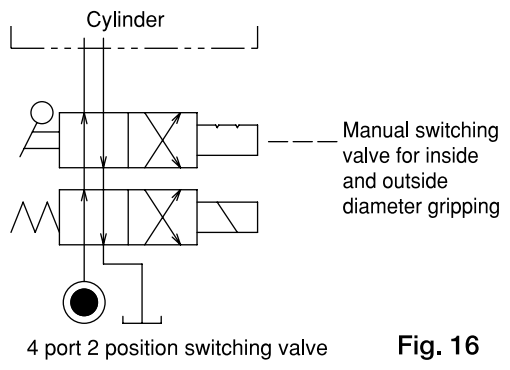
- Use the operation cylinder incorporated with a “lock valve” or “relief valve” to be prepared for blackout.
- Additionally, the solenoid valve is to be in a circuit to retain the gripping port position when no electric current is carried. The switching of the cylinder is to be 4 port 2 position with electromagnetic valve, and design the hydraulic circuit which grips the work in the state that the solenoid valve is degaussed.
- If the circuit is designed in the opposite way, if there is a blackout, the work could be released and fly out.
- Provide a valve to switch over the inside and outside diameter gripping to prevent an operation mistake when changing the gripping. Additionally, when a solenoid valve is used as this switching valve, use a 4 port 2 position valve with a position stopper that can retain the indicator circuit at the time of blackout.

**Remarks 1) What is a “lock valve” ?**

Valve equipped with a function to retain the hydraulic pressure inside the cylinder temporarily when the hydraulic pressure suddenly drops due to blackout, malfunction of the hydraulic pump, etc.

**Remarks 2) What is a “relief valve” ?**

Valve equipped with a function to prevent breakage when the hydraulic oil filled inside the cylinder caused a pressure increase due to the volume change.



**Fig. 16**

**⚠ WARNING**

- To avoid serious injury from flying work, use the throttle valve to keep the surge pressure low. Operation failure and cylinder breakage may occur if a reducing valve used for the hydraulic pressure setting fails to respond to pressure adjustment and results in excessive surge pressure.

**Remark ) What is a “surge pressure” ?**

Pressure produced by a change in velocity of the moving stream that result from activating a hydraulic pump, operation of a solenoid valve.

**NOTICE**

- Select the operation equipment that matches the pipe diameter of the cylinder. The smaller the diameter is, the larger the pipe resistance becomes and the lower the acting speed is.

**<Installation>**

The hydraulic pressure supply ports are port A (cylinder pushing side) and port B (cylinder pulling side) in Fig.17. Though both ports A and B have two ports each, connect the pipes to one port respectively and plug the reminders. For the size of each port, see Table 13.

**Table 13**

Type	YW1220R YW1220RE	YW1225R YW1225RE
A port	Rc3/8	Rc3/8
B port	Rc3/8	Rc3/8
Dr port	Rc1/4	Rc1/4

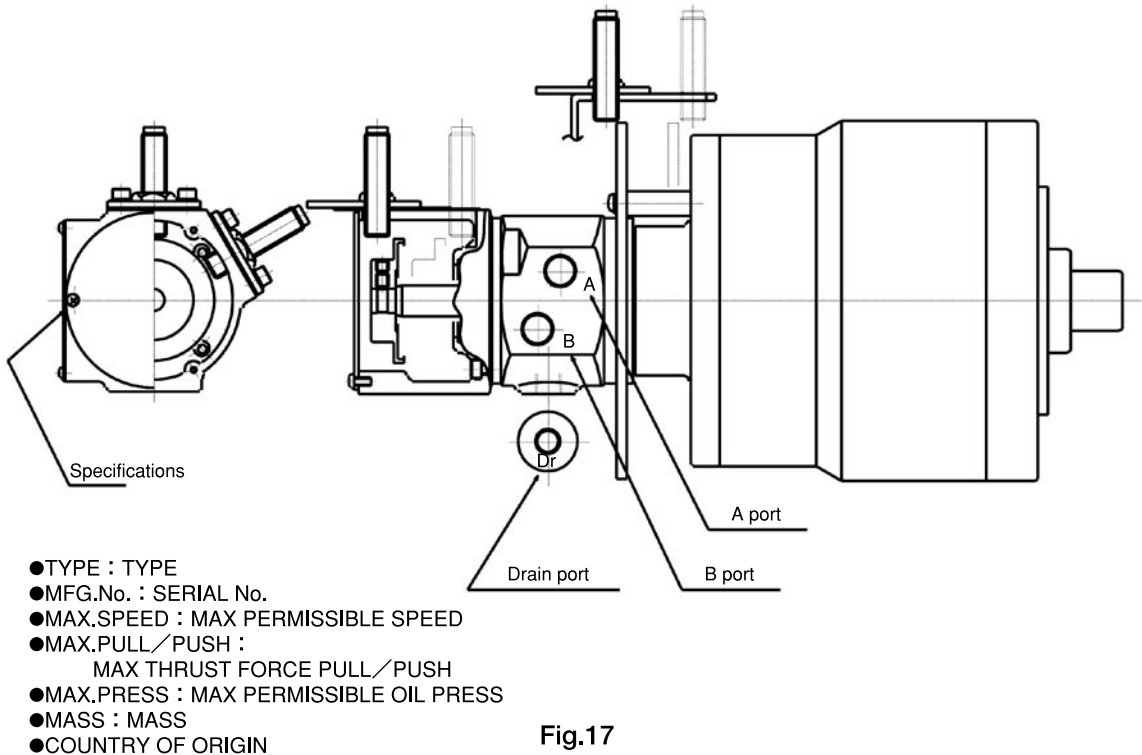
# 11 . Other information

## 11-1. About standards and orders

This product is based on the following standards or orders.

- Machinery directive:2006/42/EC Annex I
- EN ISO 12100-1:2003+A1:2009
- EN ISO12100-2+A1:2009
- EN ISO14121-1:2007
- EN1550:1997+A1:2008

## 11-2. Information about markings of product



## 11-3.About disposal

Ultimate disposal of this product should be handled according to all national laws and regulations.

## DECLARATION OF INCORPORATION

We hereby declare that the following our product conform with the essential health and safety requirements of EC Directives so that the product is to be incorporated into end-machinery. The product must not be put into service until end-machinery has been declared in conformity with the provisions of the Directives.

We also declare that undertaking to transmit, in response to a reasoned request by the national authorities, relevant information on the partly completed machinery.

Product : Cylinder

Model : SS Series, S / S-L Series, F Series, M Series,  
Y-RE Series, YW-RE Series, SR / SR-C Series

Serial Number : A0000 – Z9999 or 1A0000 – 9Z9999

Manufacturer : KITAGAWA IRON WORKS CO., LTD.  
77-1, MOTOMACHI, FUCHU-SHI,  
HIROSHIMA 726-8610, JAPAN

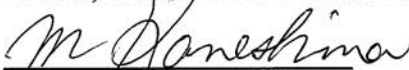
Authorised Complier  
In The Community : Mark Jones / Financial Director  
UNIT 1 THE HEADLANS, DOWNTON,  
SALISBURY, WILTSHIRE, SP5 3JJ, UNITED  
KINGDOM

Directives : Machinery Directive 2006/42/EC

The above product has been evaluated for conformity with above directives using the following European standards. The technical construction file (TCF) for this product is retained at the above manufacturer's location and it is complied according to ANNEX VII part B.

### Machinery Directive:

EN ISO 12100-1:2003+A1: 2009, EN ISO 12100-2:2003+A1: 2009,  
EN ISO 14121-1:2007, EN 1550:1997+A1: 2008

Signature : 

Date : 16 October 2014

Name/Title : Mutsuto Kaneshima / Manager Technical Section 1  
Technical Department  
Machine Tool Accessories Division

Being the responsible person appointed and employed the manufacturer.

## KITAGAWA IRON WORKS CO., LTD.

77-1 Motomachi, Fuchu-shi, Hiroshima-pref. 726-8610, Japan Tel. +81 847-40-0526 Fax. +81 847-45-8911

<b>America Contact</b>	<b>KITAGAWA - NORTHTECH INC.</b> <a href="http://www.kitagawa.com">http://www.kitagawa.com</a> 301 E. Commerce Dr, Schaumburg, IL, 60173 USA <b>Tel. +1 847-310-8787 Fax. +1 847-310-9484</b>
	<b>TECNARA TOOLING SYSTEMS, INC.</b> <a href="http://www.tecnaratools.com">http://www.tecnaratools.com</a> 12535 McCann Dr, Santa Fe Springs, California 90670 USA <b>Tel. +1 562-941-2000 Fax. +1 562-946-0506</b>
<b>Europe Contact</b>	<b>KITAGAWA EUROPE LTD.</b> <a href="http://www.kitagawaeurope.com">http://www.kitagawaeurope.com</a> Unit 1 The Headlands, Downton, Salisbury, Wiltshire SP5 3JJ, United Kingdom <b>Tel. +44 1725-514000 Fax. +44 1725-514001</b>
	<b>KITAGAWA EUROPE GmbH</b> <a href="http://www.kitagawa.global/de">http://www.kitagawa.global/de</a> Borsigstrasse 3, 40880, Ratingen Germany <b>Tel. +49 2102-123-78-00 Fax. +49 2102-123-78-69</b>
	<b>KITAGAWA EUROPE GmbH Poland Office</b> <a href="http://www.kitagawaeurope.com">http://www.kitagawaeurope.com</a> 44-240 Zory, ul. Niepodleglosci 3, Poland <b>Tel. +48 607-39-8855 Fax. +48 32-749-5918</b>
	<b>KITAGAWA EUROPE GmbH Czech Office</b> <a href="http://www.kitagawa.global/cz">http://www.kitagawa.global/cz</a> Purkynova 125 621 00 Brno, Czech Republic <b>Tel. +420 549-273-246 Fax. +420 549-273-246</b>
	<b>KITAGAWA EUROPE GmbH Romania Office</b> <a href="http://www.kitagawa.global/ro">http://www.kitagawa.global/ro</a> Strada Heliului 15, Bucuresti 1, 013991, Romania <b>Tel. +40 727-770-329</b>
	<b>KITAGAWA EUROPE GmbH Hungary Office</b> <a href="http://www.kitagawaeurope.com">http://www.kitagawaeurope.com</a> Dery T.u.5, H-9024 Gyor, Hungary <b>Tel. +36 30-510-3550</b>
<b>Asia Contact</b>	<b>KITAGAWA INDIA PVT LTD.</b> <a href="http://www.kitagawa.global/in">http://www.kitagawa.global/in</a> Plot No.215, 4th Phase, Bommasandra Industrial Area, Bommasandra Jigani Link Road, Bangalore 560 099, Karnataka, India <b>Tel. +91 80-2976-5200 Fax. +91 80-2976-5205</b>
	<b>KITAGAWA (THAILAND) CO.,LTD. Bangkok Branch</b> 9th FL, Home Place Office Building, 283/43 Sukhumvit 55Rd., (Thonglor 13),Klongton-Nua, Wattana, Bangkok 10110, Thailand <b>Tel. +66 2-712-7479 Fax. +66 2-712-7481</b>
	<b>KITAGAWA IRON WORKS (SHANGHAI) CO.,LTD.</b> Room308 3F Building B. Far East International Plaza,No.317 Xian Xia Road, Chang Ning, Shanghai, 200051China <b>Tel. +86 21-6295-5772 Fax. +86 21-6295-5792</b>
	<b>KITAGAWA IRON WORKS (SHANGHAI) CO.,LTD. Guangzhou Office</b> B07, 25/F, West Tower, Yangcheng International Trading Centre, No.122, East Tiyu Road, Tianhe District, Guangzhou, China <b>Tel. +86 20-2885-5276</b>
	<b>DEAMARK LIMITED</b> <a href="http://www.deamark.com.tw">http://www.deamark.com.tw</a> No. 6, Lane 5, Lin Sen North Road, Taipei, Taiwan <b>Tel. +886 2-2393-1221 Fax. +886 2-2395-1231</b>
	<b>KITAGAWA KOREA AGENT CO.,LTD.</b> <a href="http://www.kitagawa.co.kr">http://www.kitagawa.co.kr</a> 803 Ho, B-Dong, Woolim Lion's Valley, 371-28 Gasan-Dong, Gumcheon-Gu, Seoul, Korea <b>Tel. +82 2-2026-2222 Fax. +82 2-2026-2113</b>
<b>Oceania Contact</b>	<b>DIMAC TOOLING PTY.LTD.</b> <a href="http://www.dimac.com.au">http://www.dimac.com.au</a> 69-71 Williams Rd, Dandenong South, Victoria, 3175 Australia <b>Tel. +61 3-9561-6155 Fax. +61 3-9561-6705</b>

The products herein are controlled under Japanese Foreign Exchange and Foreign Trade Control Act. In the event of importing and/or exporting the products, you are obliged to consult KITAGAWA as well as your government for the related regulation prior to any transaction.